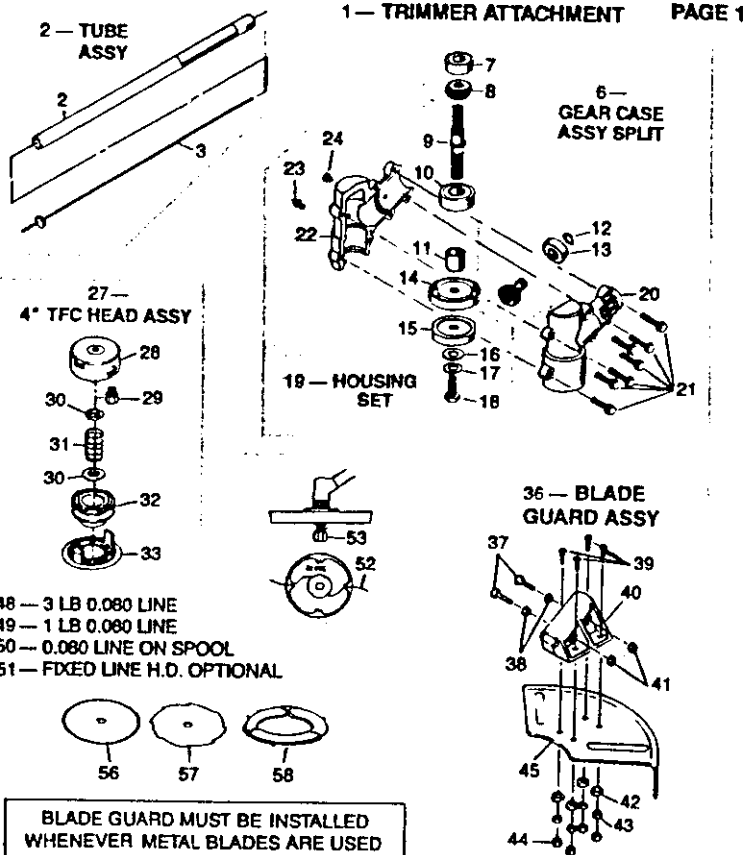


The Green Machine®

HMC, P.O. Box 560, Long Beach, CA 90801-0560
20710 So. Alameda Street, Long Beach, CA 90810

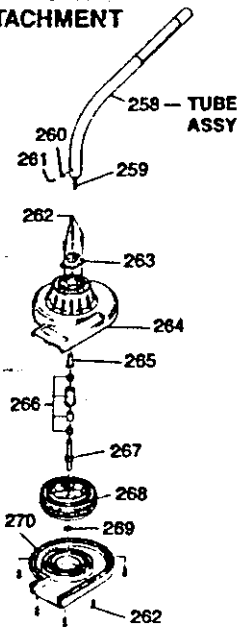
EXPLODED PARTS VIEW AND NUMERICAL PARTS LIST FOR MODEL 2810 AND ATTACHMENTS

ITEM	PART NUMBER	DESCRIPTION
1	2845	BRUSHCUTTER/TRIMMER ATTACH
2	280331	TUBE ASSY KIT 1.023 DIA
3	357802	FLEX CABLE
4		
5		
6	280310	GEARCASE ASSY
7	070027	BEARING
8	190609	GEAR SET KIT
9	226706	GEARSHAFT
10	070002	BEARING
11	226705	SHAFT SPACER
12	060020	SNAP RING
13	070026	BEARING
14	300070	HOLDER A
15	300075	HOLDER B
16	041003	WASHER
17	040007	WASHER
18	300080	BOLT
19	280321	HOUSING SET
20	236713	GEARCASE - L.H.
21	011309	SCREW
22	236712	GEARCASE - R.H.
23	286710	GREASE FITTING
24	011310	SCREW
25		
26		
27	20195	4" TFC HEAD ASSY
28	180302	4" HEAD BODY
29	226701	ARBOR
30	166903	PLATE, SPRING
31	167901	SPRING
32	185206	4" SPOOL
33	185205	4" HEAD CAP
34		
35		
36	24700	BLADE GUARD ASSY
37	011417	SCREW
38	041102	WASHER
39	011418	SCREW
40	245201	BLADE GUARD BRACKET
41	051002	NUT
42	041004	WASHER
43	041101	WASHER
44	051012	NUT
45	247001	GUARD
46		
47		
48	31004	GREEN LINE .080 3 LB
49	31005	GREEN LINE .080 1 LB
50	32007	GREEN LINE
51	25250	FIXED LINE HEAD ASSY
52	31105	GREEN LINE .105 STRIPS
53	325205	ARBOR BOLT
54		
55		
56	92130	SAW BLADE
57	92140	BRUSH BLADE
58	94110	BLADE COVER
59	300185	TOOL SET
60	309925	TOOL BAG
61	190105	SPANNER
62	309928	SOCKET
63	190104	SCREWDRIVER
64	300190	SPANNER
65		
66		
67		
68		
69		
70	2851	EDGER ATTACHMENT
71	280313	TUBE ASSY 1.00 DIA
72	236110	BRACKET EDGER GUARD
73	257802	FLEX CABLE

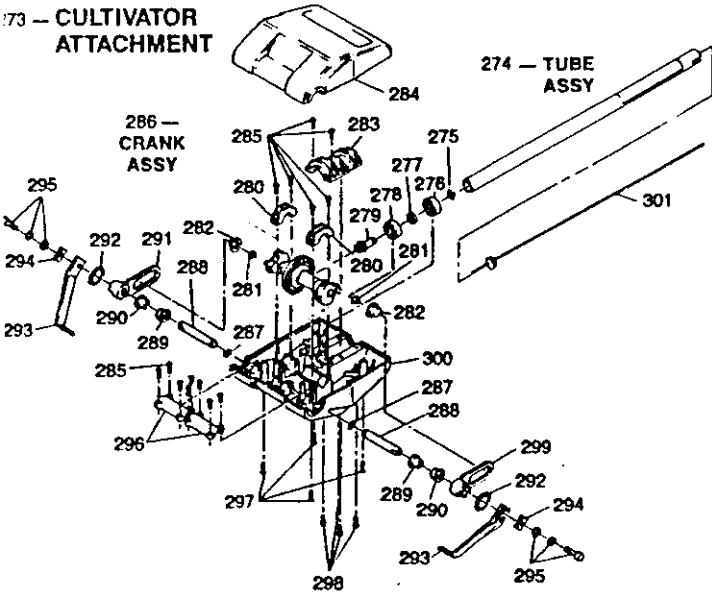


ITEM	PART NUMBER	DESCRIPTION
74	236909	EDGER SHIELD
75	237001	EDGER BLADE (NOT SHARP)
76	236113	EDGER GUARD
77	237604	SCREW
78	235102	EDGER WHEEL
79	236908	WASHER
80	236907	COTTER PIN
81	285204	KNOB
82	236707	SHAFT HANDLE
83	051017	JAM NUT
84	041007	WASHER
85	237610	EDGER AXLE

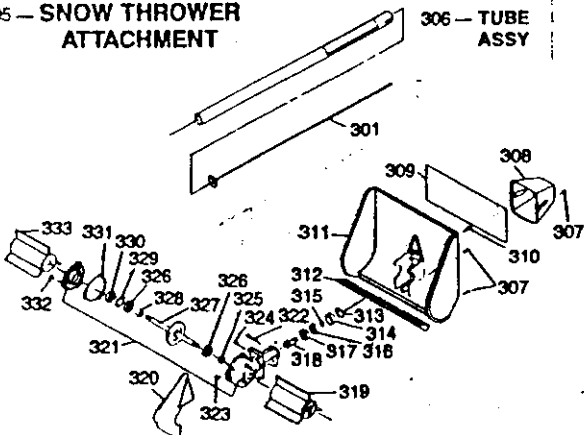
257 - BLOWER ATTACHMENT



273 - CULTIVATOR ATTACHMENT



305 - SNOW THROWER ATTACHMENT



ITEM	PART NUMBER	DESCRIPTION
255		
256		
257	2861	BLOWER ATTACHMENT
258	280323	TUBE ASSY 26.4 1/4" HOLE
259	237804	FLEX CABLE
260	041101	WASHER
261	011401	SCREW
262	201044	SCREW
263	235205	CLAMP BLOWER HOUSING
264	235201	UPPER FAN HOUSING
265	168501	ARBOR ADAPTER
266	160305	ARBOR BUSHING ASSY
267	236701	ARBOR SHAFT
268	235203	IMPELLER
269	167602	FAN NUT
270	286205	LOWER FAN HOUSING
271	288903	GUARD
272		
273	2871	CULTIVATOR ATTACHMENT
274	280315	TUBE ASSY 22.75
275	060008	RING
276	071012	BEARING
277	236702	SPACER
278	070005	BEARING
279	236503	PINION GEAR
280	236106	CRANKSHAFT
281	071403	NEEDLE BEARING
282	235207	BEARING CAP
283	236104	SHAFT CLAMP
284	235206	UPPER COVER
285	011601	SCREW
286	230324	CRANK ASSY KIT
287	061301	WIRE RING
288	236704	ROCKER SHAFT
289	977706	BUSHING
290	977703	BUSHING
291	236502	ROCKER ARM R.H.
292	235701	"O" RING
293	976903	BLADE KIT (2 EACH)
294	236706	TINE SUPPORT
295	970307	SEMS BOLT
296	236105	CLAMP ROCKER SHAFT
297	011308	SCREW
298	011419	SCREW
299	236501	TOOL HOLDER
300	236103	LOWER HOUSING
301	237803	FLEX CABLE
302		
303		
304		
305	2381	SNOW THROWER ATTACHMENT
306	230609	TUBE ASSY 22.75 1/4" HOLE
307	012464	SCREW
308	235213	COVER B
309	239518	INSTRUCTION DECAL
310	010021	SCREW
311	237002	HOUSING
312	235503	SCRAPER BAR
313	062204	SNAP RING
314	237607	COLLAR
315	062205	SNAP RING
316	071008	BEARING
317	070006	BEARING
318	236304	PINION
319	235210	ROTOR R.H.
320	235212	COVER A
321	230338	GEAR CASE ASSY
322	030087	BOLT
323	010024	SCREW
324	012463	SCREW
325	060009	SEAL
326	070011	BEARING
327	236303	SHAFT GEAR COMP.
328	237608	COLLAR
329	060005	RING
330	060010	SEAL
331	237401	GASKET
332	012462	SCREW
333	235211	ROTOR L.H.
334		
335		