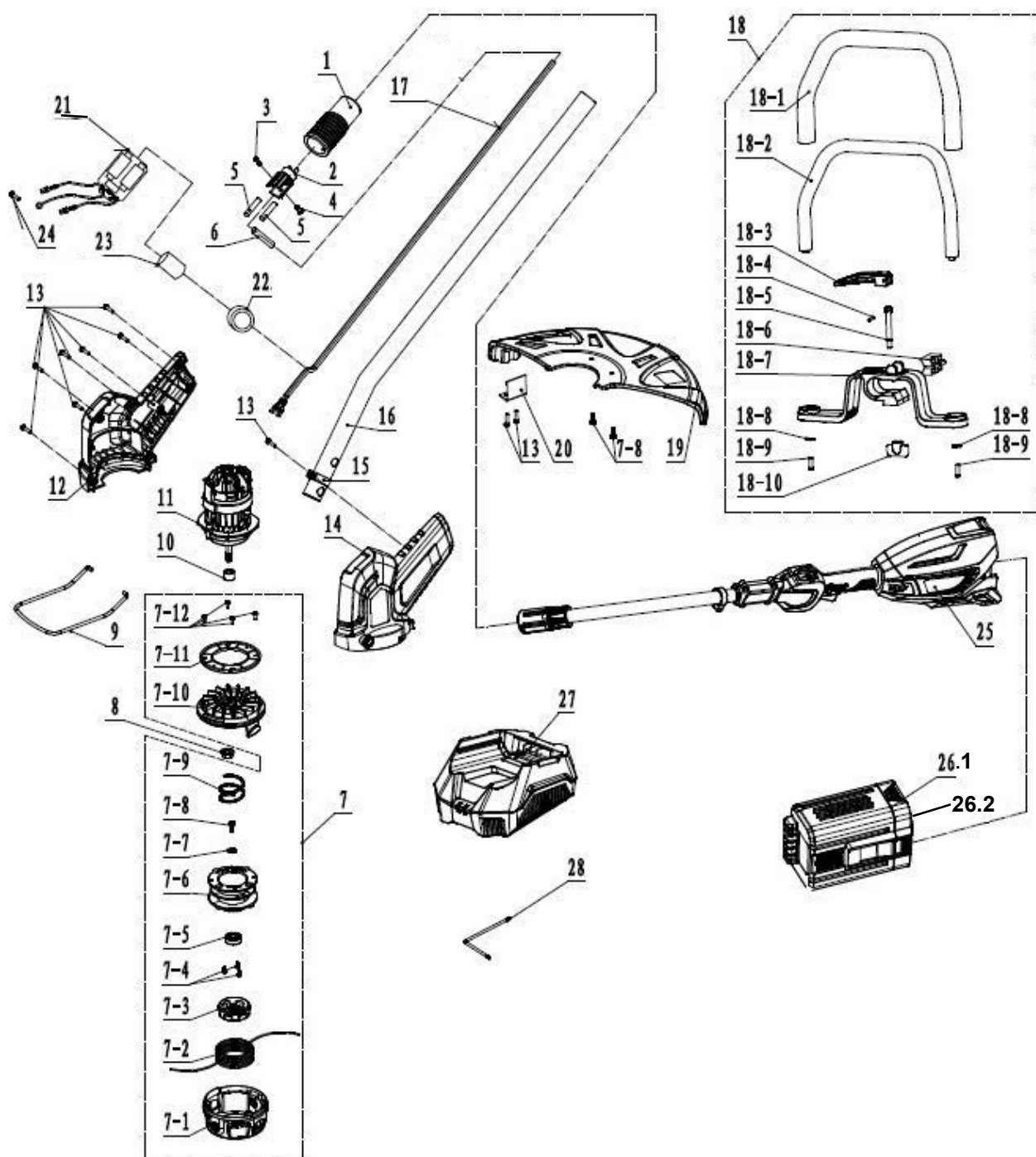


Model: GTZ 5800

Part Number: 90070041

Year: 2019

POS	QTY	PARTNUMBER	BESKRIVELSE	DESCRIPTION
1	1	441635	TOP DÆKSEL FOR TERMINAL	G511 SOCKET TOP COVER
2	2	441636	TERMINAL	G511 SOCKET TERMINAL
3	1	441637	BUNDDÆKSEL FOR TERMINAL	G511 SOCKET LOWER COVER
4	1	441638	SKRUE ST3,5X6	SCREW ST3.5*6
5	2	441639	NAGLE 4X13	RIVENT 4*13
6	1	441640	SAMLELED INDVENDIG	G511 ALUMINUM TUBE LINK LOCATING RING
7	1	441641	STRAMMEKRAVE	G511 ALUMINUM TUBE LINK OUTSIDE LOCK COV
8	1	441642	KRYMPERØR	G511 HANDLE SPONGE CASING Ø24*Ø34*200
9	1	441643	BESLAG FOR SELE	G5302 HARNESS CLAMP
10	1	441644	PLASTIK BESLAG	G5302 PLASTIC LINER
11	1	441645	KLEMMEBESLAG	G5302 CLAMP
12	1	441646	MØTRIK M5	SCREW M5
13	2	441647	BOLT M5X20	SCREW M5*20
14	1	441648	ALURØR	G511 MAIN ENGINE ALUMINUM TUBE
15	1	441649	INDERKABEL	G511 MAIN ENGINE
16	2	441650	O-RING 25X3,65	RING SEAL 25*3.65
17	1	441651	BESLAG	G511 BRUSH CONTROLLER ASS'Y
18	2	441652	KONTAKT	G511 SHOCK ABSORBER
19	1	441653	STØDDÆMPER	G511 SPEED-CONTROL SWITCH
20	1	441654	STARTERHÅNDTAG	G511 TRIGGER
21	1	441655	BATTERIKONSOL	C501 BATTERY BUNKER SOCKET
22	3	441656	STIK	C501 PLUG
23	2	441657	FJEDER	B521 BATTERY BUNKER SPRING
24	2	441658	SELVLÅSENDE KONTAKT	C501 BATTERY PACK RESET PILLAR
25	2	441659	KNAP	DB521 MICRO BUTTON
26	1	441660	DÆKSEL VENSTRE	G511 LEFT COVER
27	1	441661	STOPKONTAKT	G511 RESET COVER
28	1	441662	STOP FJEDER	C501 RESET SPRING
29	1	441663	TOP DÆKSEL	G511 DECORATIVE COVER
30	1	441664	BESLAG VENSTRE	G511 LEFT BRACKET
31	1	441665	DÆKSEL HØJRE	G511 RIGHT COVER
32	1	441666	BESLAG HØJRE	G511 RIGHT BRACKET
33	17	441667	SKRUE ST3,9X16	SCREW ST3.9*16



Model: GTZ 5800

Part Number: 90070041

Year: 2019

POS	QTY	PARTNUMBER	BESKRIVELSE	DESCRIPTION
1	1	441668	ALURØR INDVENDIG	G511 ALUMINUM TUBE LINK INSIDE LOCK COVE
2	1	441669	KONTAKT	G511 ALUMINUM TUBE LINK SOCKET
3	1	441670	NAGLE 3X10	RIVET 3*10
4	3	441639	NAGLE 4X13	RIVENT 4*13
5	2	441671	KRYMPEFLEX Ø6	HEAT SHRINKABLE SLEEVE Ø6
6	1	441672	KRYMPEFLEX Ø8	HEAT SHRINKABLE SLEEVE Ø8
7	1	441955	TRIMMERHOVED KPL.	
7.1	1	441673	BUND	G511 TRIMMER HEAD LOWER COVER
7.2	1	441674	TRIMMERSNØRE Ø2X3000	G551 TRIMMER LINEØ2*3000
7.3	1	441675	DÆKSEL	G511 KNOCKING COVER
7.4	3	441676	SKRUE ST4X8X8	SCREW ST4*8*8
7.5	1	441677	LEJE Ø8X22X7	608-2RS BEARING
7.6	1	441678	SPOLEHUS	G511 TRIMMER HEAD ROPE WHEEL
7.7	1	441679	PAKNING Ø4,3XØ12X1	GASKET Ø4.3*Ø12*1
7.8	3	441680	SKRUE ST3,9X9,5	SCREW ST3.9*9.5
7.9	1	441681	FJEDER	G511 KNOCKING SPRING
7.10	1	441682	TOPDÆKSEL	G511 TRIMMER HEAD TOP COVER
7.11	1	441683	STØVDÆKSEL	G511 DUST COVER
7.12	4	441684	SKRUE ST2,9X8	SCREW ST2.9*8
8	1	441685	MØTRIK M8	SCREW M8
9	1	441686	BØJLE	G511 METAL LIMIT LEVER
10	1	441687	BØSNING	G511 MOTOR SHAFT SLEEVE
11	1	441688	MOTOR	G511 BRUSH MOTOR
12	1	441689	HØJRE DÆKSEL PLASTIK	G511 PLASTIC RIGHT COVER
13	27	441667	SKRUE ST3,9X16	SCREW ST3.9*16
14	1	441690	VENSTRE DÆKSEL PLASTIK	G511 PLASTIC LEFT COVER
15	1	441691	SPÆNDEBÅND ALU	G511 ALUMINIUM TUBE CLAMP
16	1	441692	ALU RØR	G511 OPERATION ALIMINUM TUBE
17	1	441693	KABEL	G511 OPERATION WIRE
18	1	441694	HÅNDTAG KOMPLET	G511 HANDLE ASSY
18.1	1	441695	SKUMGREB	HANDLE SPONGE
18.2	1	441696	HÅNDTAG MED SKUM	HANDLE W/FOAM
18.3	1	441697	GAS GREB	G511 SPEED WRENCH
18.4	1	441698	SPLIT Ø3,0X20	PIN Ø3.0*20
18.5	1	441699	SPLITBOLT	G511 LOCKING LEVER
18.6	1	441700	AFSTANDSSTYKKE	G511 FILLER BLOCK
18.7	1	441701	MONTERING FOR HÅNDTAG	G511 HANDLE SEAT
18.8	2	441702	PAKNING Ø5,2XØ12,8X1,5	GASKET Ø5.2*Ø12.8*1.5
18.9	2	441703	SKRUE SØT4,8X16-F	SCREW ST4.8*16-F
18.10	1	441704	KNAP	G511 HAND FIXED KNOB
19	1	441705	BESKYTTELSESSKÆRM	G511 SAFETY GUARD
20	1	441706	KNIV	G511 KNIFE
22	1	441707	RING	G511 FERRITE RING

POS	QTY	PARTNUMBER	BESKRIVELSE	DESCRIPTION
23	1	441708	KRYMPEFLEX Ø35	HEAT SHRINKABLE SLEEVE Ø35
24	1	441709	SKRUE M4X6	SCREW M4*6
25	1	441710	MOTOR	G511 MAIN ENGINE
26.1	1	90070051	BATTERI 58V/2.0AH	BATTERY
26.2	1	90070052	BATTERI 58V/4.0AH	BATTERY 58V/4.0AH
27	1	90070054	LADER 58V	CHARGER
28	1	441711	NØGLE	T20 WRENCH